



Company Description

Seal Solutions Australia Import, Stock and Distribute a range of OEM and aftermarket Floating Seals (Duo Cone). Our suppliers factory absorb the Italian GNL advanced technology of production as many years and research and experience, we have a special system to reach different customers requirement.

Our product range cover all makes and models of Industrial and Earthmoving equipment and are distributed nationally.

The inner diameter of floating seals range from 50-1,000mm. The factory have two production lines: one is for forgeable piece, hardness is HRC58-62, for cast, and the other hardness is HRC62-68.

There are four different types: standard type, XY type, L type and iron plate type.

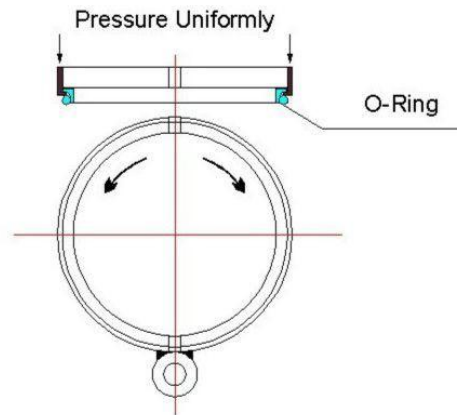
Customers Design and Small Quantity Trial Orders are welcomed.

Seal Solutions Australia

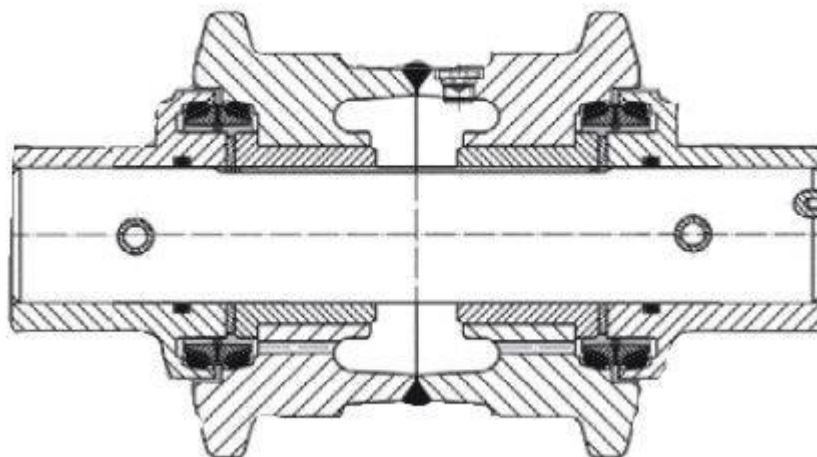
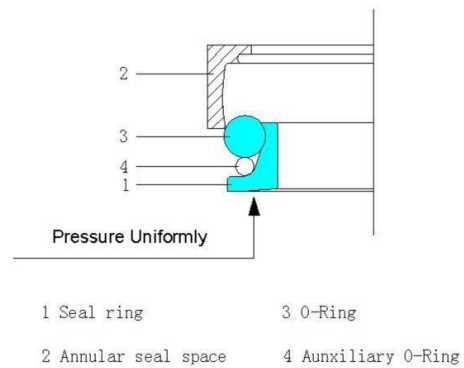
Ph: 08 6350 1755 Email: sales@sealsolutionsaustralia.com.au

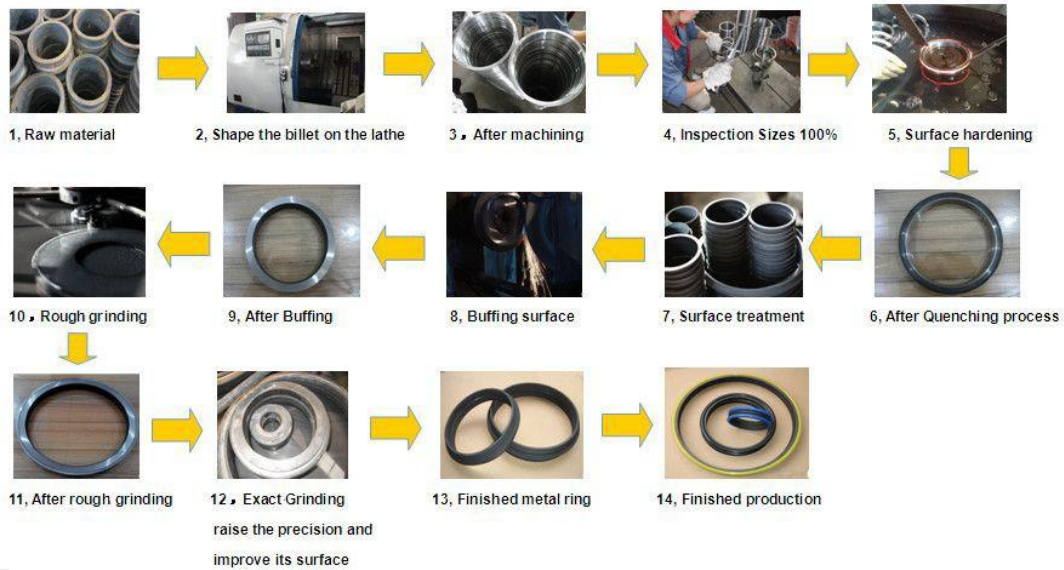
Web: www.sealsolutionsaustralia.com.au

1 Using specialized tools installation:
 The pressure will apply to the O-ring directly.
 As shown, the special tool is mounted between the metal floating ring and the rubber ring, toward the seat hole, the rubber ring is evenly pressed into the hole.

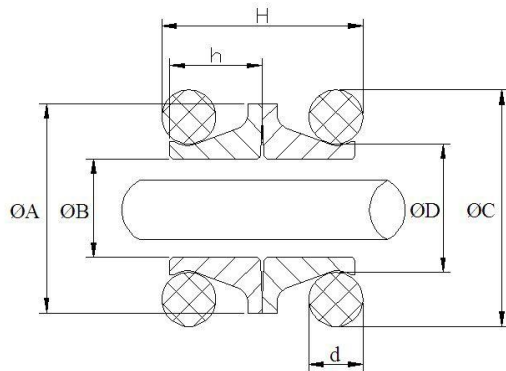


2 Other installation methods: One auxiliary O-ring is fixed between the conical ring surface of the floating oil seal and sealing O-ring (as shown). The ring of the floating oil seal is applied uniformly by pressure and the auxiliary O-ring braces the sealing O-ring to ensure the other correct mounting positions.





STANDARD TYPE



UNIT : mm

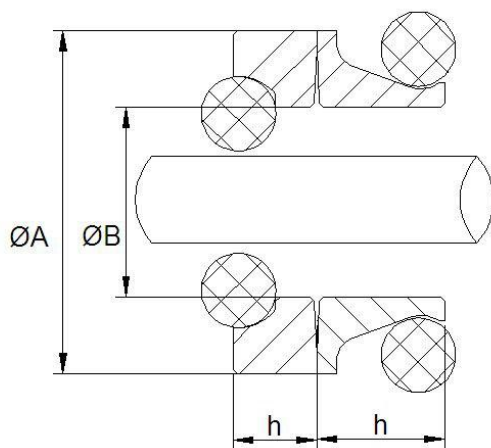
| CODE | FLOATING SEAL | | | RUBBER SEAL | | COMBINATION OF SIZE | |
|-------|---------------|-------------|-------|-------------|-----|---------------------|------|
| | OD Φ A | ID Φ B | h | Φ D | d | Φ C | H |
| R0380 | 51 | 38 | 10.2 | 41 | 6 | 54.2 | 23.7 |
| R0430 | 58 | 43 | 12 | 46 | 7.2 | 62 | 27 |
| R0450 | 58 | 45 | 10.5 | 48.4 | 6 | 61.5 | 22.3 |
| R0480 | 62 | 48 | 12.75 | 52 | 7.6 | 68.5 | 28 |

| | | | | | | | |
|--------|-------|-------|-------|-------|------|-------|------|
| R0510 | 65 | 51 | 13.5 | 55.5 | 6 | 68.5 | 27 |
| R0560 | 70 | 56 | 12.75 | 60.8 | 7.6 | 76.2 | 26 |
| R0580 | 75 | 58 | 14.5 | 61 | 8 | 79.5 | 26.3 |
| R0600 | 74 | 60 | 10.3 | 60.8 | 7.6 | 78.4 | 23 |
| R0620B | 73.5 | 62 | 8.5 | 55.5 | 4.7 | 76.3 | 18.2 |
| R0635 | 82.5 | 63.5 | 16 | 66.2 | 9.6 | 87.3 | 34.1 |
| R0640 | 78 | 64 | 12.5 | 67 | 8 | 84.3 | 27.5 |
| R0690 | 84.5 | 69 | 12.5 | 72 | 8 | 89 | 27 |
| R0710 | 90 | 72 | 14.5 | 76.5 | 9 | 95.5 | 32 |
| R0720B | 80 | 71.5 | 6.5 | 74 | 4 | 83 | 13 |
| R0730 | 92 | 73 | 15.9 | 76 | 9.5 | 96.9 | 34.5 |
| R0730B | 91.5 | 72 | 18.1 | 76 | 9.5 | 96.5 | 35.5 |
| R0737 | 86.8 | 73.7 | 10.8 | 75.8 | 7 | 91.6 | 24.1 |
| R0770 | 94 | 77 | 14.5 | 80 | 9.3 | 100.8 | 33.1 |
| R0770B | 87.2 | 77 | 7 | | | 91 | 14.5 |
| R0810 | 100 | 80 | 14.5 | 86 | 9.2 | 105 | 33.5 |
| R0850 | 104.3 | 85 | 16 | 88 | 9.2 | 107.4 | 33 |
| R0880B | 97 | 88.5 | 6.3 | 87 | 4 | 100 | 12.6 |
| R0900A | 105 | 90 | 13 | 92.5 | 6.3 | 107.5 | 26.4 |
| R0900B | 101.5 | 90 | 10 | 94 | 5.7 | 107 | 20.2 |
| R0905 | 109.6 | 90.5 | 16 | 93 | 9.5 | 114.2 | 33.2 |
| R0920 | 109 | 92 | 11 | 96 | 7 | 114.1 | 25 |
| R0935 | 107 | 93.5 | 11 | 96 | 7 | 112 | 34.4 |
| R0950 | 114 | 95 | 16 | 99 | 9.5 | 119.5 | 34.5 |
| R1000 | 119.1 | 100 | 16 | 102 | 9.3 | 123.8 | 34.7 |
| R1010 | 120 | 101 | 15.1 | 106.5 | 9 | 125 | 32.8 |
| R1020C | 122 | 102 | 16.5 | 105 | 10 | 127 | 34.5 |
| R1039 | 117 | 103.9 | 11 | 105 | 7 | 122 | 23.4 |
| R1042 | 122 | 104.1 | 11 | 110 | 7 | 126 | 23 |
| R1090 | 132.2 | 109 | 16 | 117 | 9.4 | 137 | 32.7 |
| R1100A | 128 | 100 | 16 | 114 | 9 | 134 | 33.2 |
| R1100B | 126.7 | 109 | 16 | 113 | 10 | 133 | 36.2 |
| R1150 | 137 | 115 | 15.5 | 123 | 9 | 142 | 32.6 |
| R1200 | 142.3 | 120 | 18 | 126 | 11.2 | 149.5 | 36 |
| R1240 | 141 | 124 | 11 | 130 | 7 | 146 | 34.8 |
| R1250 | 143.5 | 126 | 15.7 | 128 | 9.5 | 148.5 | 32.5 |
| R1270A | 146.5 | 127 | 16 | 128 | 9.5 | 151.2 | 34.5 |
| R1270B | 141 | 127 | 12.7 | 127.5 | 6.2 | 114.1 | 26 |
| R1300 | 151 | 130 | 16 | 137 | 9.2 | 156.3 | 34.3 |
| R1360 | 151 | 136 | 14 | 139 | 9.6 | 159 | 30 |
| R1370 | 153.5 | 137 | 15.5 | 139 | 9.6 | 162.4 | 31 |
| R1430 | 156.9 | 142.7 | 12.7 | 142.5 | 6.2 | 160.5 | 26.2 |

| | | | | | | | |
|--------|-------|-------|------|-------|------|-------|------|
| R1460 | 172 | 146 | 19 | 147.3 | 12.7 | 177.2 | 41 |
| R1470 | 169.5 | 148 | 17.2 | 155 | 9.3 | 175 | 33.8 |
| R1480 | 170.5 | 148 | 16 | 155 | 9.3 | 176.5 | 32 |
| R1500 | 172 | 150 | 20 | 157 | 10.8 | 179 | 41 |
| R1540 | 168.1 | 153.9 | 12.7 | 154.3 | 6.3 | 171.2 | 26 |
| R1550 | 177 | 155 | 13.5 | 160 | 8 | 178 | 27 |
| R1600 | 180 | 159 | 16 | 166 | 9 | 186 | 31 |
| R1630 | 191 | 163 | 19 | 167 | 12.7 | 196 | 41 |
| R1630T | 190 | 163 | 19 | 137 | 12.7 | 197.2 | 41.7 |
| R1635 | 191 | 163 | 23.3 | 167 | 12.7 | 197 | 49 |
| R1650 | 183.5 | 165 | 14.6 | 159 | 8.5 | 187.3 | 29 |
| R1710 | 193 | 171 | 13.5 | 176 | 8 | 194.5 | 27 |
| R1760 | 195 | 176 | 14.2 | 180 | 8.4 | 201 | 29 |
| R1780 | 200 | 178 | 19 | 183 | 13 | 211 | 39 |
| R1820 | 210 | 182 | 19 | 184 | 12.7 | 216 | 41.3 |
| R1821 | 210 | 182 | 23 | 184 | 12.7 | 215.4 | 51 |
| R1830 | 202 | 183 | 14 | 187 | 8.4 | | |
| R1880 | 205 | 188 | 14 | 190.2 | 8.5 | 211 | 28 |
| R1900 | 216 | 290 | 23 | 198 | 12 | 224 | 46.5 |
| R1910 | 210 | 191 | 14 | 196 | 8.5 | 215 | 28 |
| R1920 | 215 | 192 | 16.5 | 194.5 | 10.3 | 221 | 35 |
| R2000 | 228.5 | 200 | 18.5 | 205 | 13 | 235 | 40 |
| R2040 | 222 | 204 | 13.3 | 208 | 6.2 | 225 | 26 |
| R2050 | 227 | 205 | 15.5 | 210 | 9.5 | 231 | 31 |
| R2090 | 234 | 209 | 21 | 215 | 13 | 243.5 | 46.5 |
| R2200 | 246 | 220 | 18 | 205 | 13 | 250.3 | 37 |
| R2230A | 251.4 | 223.5 | 19 | 225 | 12.7 | 257 | 42.3 |
| R2230B | 251.4 | 223.5 | 22.2 | 225 | 12.7 | 256 | 48 |
| R2250 | 252 | 225 | 19 | 230 | 12 | 258.3 | 41.5 |
| R2270 | 255 | 227 | 16 | 234 | 10.5 | 260 | 33 |
| R2300 | 260 | 230 | 19 | 242 | 11 | 264.4 | 40 |
| R2320 | 260.6 | 232.6 | 16 | 240 | 10.5 | 265 | 33 |
| R2350 | 260 | 235 | 18 | 242 | 11 | 265 | 38 |
| R2390 | 268.5 | 239 | 21 | 248.5 | 12 | 274.5 | 45 |
| R2500 | 277.4 | 250 | 21.5 | 254 | 12.7 | 285 | 43 |
| R2520 | 280 | 252 | 19 | 254 | 12.7 | 286 | 42 |
| R2600 | 288 | 260 | 20 | 266 | 12 | 294.5 | 43.2 |
| R2645 | 293 | 265 | 23 | 265 | 12.7 | 298.5 | 50.6 |
| R2650 | 293 | 265 | 19 | 265 | 12.7 | 298.3 | 42 |
| R2750 | 303 | 275 | 19 | 276 | 12.7 | 308.4 | 42 |
| R2755 | 310 | 277.5 | 21 | 278 | 12.2 | 310 | 46.3 |
| R2770 | 303 | 277 | 14.5 | 285 | 10.5 | 308.5 | 30 |

| | | | | | | | |
|--------|-------|-------|------|-------|------|-------|------|
| R2780 | 310.3 | 278 | 19 | 284 | 12.5 | 316 | 41 |
| R2950 | 328 | 295 | 20 | 304 | 12.5 | 332 | 42 |
| R3000 | 328 | 298 | 21 | 298 | 12.2 | 333 | 45.5 |
| R3000B | 328 | 300 | 20 | 301 | 12.5 | 333 | 40 |
| R3003 | 325 | 300 | 19 | 305 | 12.7 | 335.7 | 41 |
| R3030 | 328 | 303 | 19 | 305 | 12.7 | 334 | 40 |
| R3040 | 334 | 304 | 19 | 310 | 12.5 | 339 | 38 |
| R3180 | 346.4 | 318.5 | 9 | 318 | 12.7 | 352 | 41 |
| R3190 | 340.5 | 319.5 | 19.2 | 321 | 12.5 | 352 | 40 |
| R3190B | 346.4 | 318.5 | 23 | 315 | 12.7 | 353 | 49 |
| R3400 | 368 | 338 | 20 | 345 | 12 | 374 | 44.8 |
| R3510 | 375 | 351 | 19 | 356 | 12.5 | 385 | 38 |
| R3660 | 394.4 | 366.5 | 19 | 359.6 | 12.7 | 400.5 | 42 |
| R3800 | 405 | 380 | 20 | 378 | 12 | 412 | 42 |
| R4290 | 457.2 | 429 | 19 | 420 | 12.7 | 464.4 | 42 |
| R4310 | 456.5 | 431 | 19 | 421 | 12.7 | 463 | 40.4 |
| R4485 | 482 | 448 | 20 | 458 | 12.5 | 487 | 44 |
| R5000 | 527 | 500 | 21.7 | 502 | 12.7 | 534 | 48 |
| R5050 | 533.4 | 505.4 | 21.8 | 493 | 12.7 | 539.5 | 51 |
| R5080 | 548.5 | 507 | 31 | 510 | 18 | 554 | 64 |
| R6667 | 700 | 667 | 22.2 | 680 | 12.7 | 705.5 | 48 |

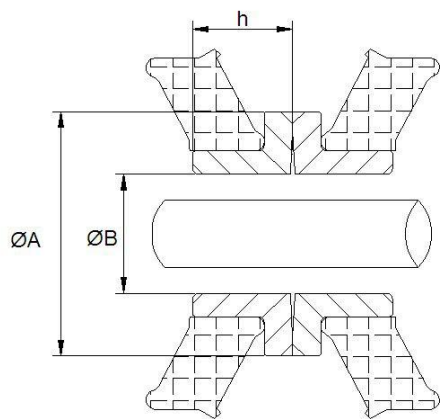
X, Y TYPE



| CODE | FLOATING SEAL | | |
|--------|---------------|-------------|------|
| | OD ΦA | ID ΦB | h |
| R0545X | 70.5 | 53.7 | 21.5 |

| | | | |
|--------|------|------|------|
| R0545Y | 70.5 | 53.7 | 10 |
| R0665X | 82.2 | 66.5 | 20.5 |
| R0665Y | 82.2 | 66.5 | 10.5 |
| R0760X | 93 | 76 | 22 |
| R0760Y | 93 | 76 | 10.5 |
| R0820X | 99 | 82 | 22 |
| R0820Y | 99 | 22 | 10.5 |
| R1080X | 125 | 108 | 21.5 |
| R1080Y | 125 | 108 | 10.5 |

LTYPE



| CODE | FLOATING SEAL | | |
|--------|---------------|-------|------|
| | OD ØA | ID ØB | h |
| R0480L | 62.1 | 47.1 | 10 |
| R0505L | 56 | 50.5 | 9.5 |
| R0540L | 72 | 54 | 10 |
| R0670L | 84 | 66.9 | 11.6 |
| R0730L | 93 | 73.5 | 10 |
| R0940L | 112 | 94 | 12 |
| R1240L | 144 | 124 | 16.3 |
| R2000L | 229 | 200 | 18 |
| R2410L | 273 | 241 | 18.3 |
| R2470L | 270 | 247 | 21 |

IRON PLATE TYPE



| CODE | FLOATING SEAL | | |
|--------|---------------|-------|------|
| | OD ΦA | ID ΦB | h |
| R1800P | 180 | 164 | 9.7 |
| R1850P | 185 | 158.7 | 12.3 |
| R2100P | 210 | 186 | 11.4 |
| R2300P | 230 | 201 | 13.3 |
| R2390P | 239 | 209 | 9.7 |
| R2440P | 224 | 216.5 | 9.7 |
| R2600P | 260 | 216 | 13.3 |
| R2840P | 284 | 247 | 13.3 |
| R2900P | 290 | 248 | 13.3 |

Excavator Series

| BRAND | MODEL | BOTTOM ROLLER | CARRIER ROLLER | FRONT IDLER | SPROCKET |
|---------|----------------------|------------------------------|------------------------------|------------------------------|----------|
| Komatsu | PC60-1、 2、 3 | 110-30-00085 110-30-00045 | 110-30-00085 | 110-30-00085 | |
| Komatsu | PC60-5、 6 | 141-30-00610 141-30-00616 | 140-30-00040 140-30-00141 | 141-30-00610 141-30-00616 | |
| Komatsu | PC80-1 PC100-1、 2 | 170-30-00110 170-30-00210 | 140-30-00040 140-30-00141 | 140-30-00040 141-30-00141 | |

| | | | | | |
|---------|----------------------|--|--|--|--|
| | PC120-1、 2 | 175-30-00070 175-30-00700 | | | |
| Komatsu | PC100-3 PC120-3 | 170-30-00110 170-30-00210 175-30-00070 175-30-00700 | 140-30-00040 140-30-00141 | 205-30-00052 | |
| Komatsu | PC100-5 PC120-5 | 170-30-00110 170-30-00210 175-30-00070 175-30-00700 | 140-30-00040 140-30-00141 | 170-30-00110 170-30-00210 175-30-00070 175-30-00700 | |
| Komatsu | PC150-1、 3 | 20Y-30-00040 | 140-30-00040 140-30-00141 | 130-27-00020 | |
| Komatsu | PC200-3 S/N33763~ | 20Y-30-00040 | 140-30-00040 140-30-00141 | 20Y-30-00100 10Y-30-00100 | 150-27-00025 150-27-00026 150-27-00027 |
| Komatsu | PC200-3 S/N27913~ | 205-30-00052 | 140-30-00040 140-30-00141 | 130-27-00020 | 150-27-00025 150-27-00026 150-27-00027 |
| Komatsu | PC200-3 S/N20000~ | 205-30-00052 | 140-30-00040 140-30-00141 | 130-27-00020 | 150-27-00025 150-27-00026 150-27-00027 |
| Komatsu | PC220-3 S/N23738~ | 204-30-00041 20Y-30-00041 | 20Y-30-00070 20Y-30-00090 | 20Y-30-00100 10Y-30-00100 | 150-27-00025 150-27-00026 150-27-00027 |
| Komatsu | PC220-3 S/N20000~ | 205-30-00052 | 140-30-00040 140-30-00141 | 130-27-00020 | 150-27-00025 150-27-00026 150-27-00027 |
| Komatsu | PC200 PC220-2 | 205-30-00052 | 140-30-00040 140-30-00141 | 130-27-00020 | |
| Komatsu | PC200 PC220-5、 6 | 204-30-00041 20Y-30-00041 | 20Y-30-00070 20Y-30-00090 | 20Y-30-00100 10Y-30-00100 | 150-27-00025 150-27-00026 150-27-00027 |
| Komatsu | PC200-1,2,3 | 20Y-30-00040 | 20Y-30-00070 20Y-30-00090 | 130-27-00020 | 150-27-00025 150-27-00026 150-27-00027 |
| Komatsu | PC200-5,6 | 20Y-30-00040 | 20Y-30-00070 20Y-30-00090 | 130-27-00020 | 150-27-00025 150-27-00026 150-27-00027 |
| Komatsu | PC300-1、 2 | 141-30-00610 141-30-00616 | 150-30-00035 154-30-00035 154-30-00830 154-30-00831 | 130-27-00020 | 207-27-00010 |

| | | | | | |
|---------|-------------|------------------------------|--|--|--|
| | | | 154-30-00832 154-30-00833 | | |
| Komatsu | PC300-3 | 141-30-00610 141-30-00616 | 150-30-00035 154-30-00035 154-30-00830 154-30-00831 154-30-00832 154-30-00833 | 141-27-00015 150-27-00015 150-27-00016 | |
| Komatsu | PC300-5 | 20Y-30-00101 | 204-30-00041 20Y-30-00041 | 207-30-00101 | |
| Komatsu | PC300-6 | 20Y-30-00101 | 204-30-00041 20Y-30-00041 | 207-30-00101 | 170-27-00020 170-27-00025 195-27-00022 423-33-00020 423-33-00021 |
| Komatsu | PC300-7 | | | | 170-27-00020 170-27-00025 195-27-00022 423-33-00020 423-33-00021 |
| Komatsu | PC400-1、3、5 | | 204-30-00041 20Y-30-00041 | | |
| Komatsu | PC400-1 | 20Y-30-00101 | 204-30-00041 20Y-30-00041 | | |
| Komatsu | PC400-3 | 170-27-00010 198-30-00072 | 150-30-00035 154-30-00035 154-30-00830 154-30-00831 154-30-00832 154-30-00833 | 100-27-00030 175-27-00120 175-27-00121 21T-30-00110 | |
| Komatsu | PC400-5 | 207-30-00101 | 204-30-00041 20Y-30-00041 | | |
| Komatsu | PC400-6 | 207-30-00101 | 204-30-00041 20Y-30-00041 | | |
| Komatsu | PC650-1 | | 141-27-00015 150-27-00015 150-27-00016 | | |
| Komatsu | PC650-3 | | 205-30-00052 | | |
| Komatsu | PC650-5 | | 205-30-00052 | | 150-27-00025 150-27-00026 150-27-00027 |
| Komatsu | PC1000-1 | | 205-30-00052 | 207-27-00010 | |

| | | | | | |
|-------------|---|--------------------------------------|--------------------------------------|--------------------------------------|--|
| Caterpillar | 205, 205B, 205LC, 211, 211B, 211LC, 213, 213B, 213L | | | 2M2858 5K6191 9W7216 9W7223 | 1M8748 5P0204 9W7225 |
| Caterpillar | 215, 215LC | 6P3595 9G5345 9W6690 9W6691 | 2M2858 5K6191 9W7216 9W7223 | 6P3595 9G5345 9W6690 9W6691 | 5K5288 9W6645 |
| Caterpillar | 215B, 215B-LC, 215C, 215D | | 2M2858 5K6191 9W7216 9W7223 | 2M2858 5K6191 9W7216 9W7223 | 5K5288 9W6645 |
| Caterpillar | 215B-SA, 225B, LC | | 1M8747/ 9W6647 | 2M2858 5K6191 9W7216 9W7223 | 1P7249/ 5P7146/ 9W7228/ 9W7243 |
| Caterpillar | 218, 219D, 219LC, 225D, 225LC | | 1M8747 9W6647 | 2M2858 5K6191 9W7216 9W7223 | |
| Caterpillar | 225SA, 227, 229D, LC, 229, 231D-LC, 235, L | | 1M8747 9W6647 | 1M8747 9W6647 | 5M1176 6T8433 9G5315 9W6671 9W6680 |
| Caterpillar | 245 | 4K6049 9G5311 9W6666 | 1M8747 9W6647 | 1M8747 9W6647 | |
| Caterpillar | 245B, LC | 7M0481 9G5313 9W6668 9W6669 | 1M8747 9W6647 | 1M8747 9W6647 | |
| Caterpillar | E200B, EL200B | 1M8746 9W7220 | 8E5609 | 1M8748 5P0204 9W7225 | |
| Caterpillar | E200 | 1M8746 9W7220 | 8E5609 | 1M8748 5P0204 9W7225 | |
| Caterpillar | E320 | 1M8746 9W7220 | 8E5609 | 1M8748 5P0204 9W7225 | |
| Caterpillar | E320B | 1M8746 | 8E5609 | 1M8748 | |

| | | | | | |
|-------------|----------------------------|------------------|-------------------------------|--|---------|
| | | 9W7220 | | 5P0204 9W7225 | |
| Caterpillar | CAT320 | 1M8746 9W7220 | 8E5609 | 1M8748 5P0204 9W7225 | |
| Hitachi) | EX200-1 | | 4110358 | | 4114753 |
| Hitachi | EX200,220 EX200LC,220LC | | 4110358 | | 4114753 |
| Hitachi | EX200-2,5 | | 4110358 | | 4514259 |
| Hitachi | EX300,EX300LC | | 4110358 | | |
| Hitachi | UH07-5 UH081 | 4317586 | 4060222 4110359 4512571 | 4056360 4110362 4153732 4508193 | |
| Hitachi | UH07-7 UH083 | | 4110358 | | |
| Hitachi | UH07-3 | | 4060222 4110359 4512571 | 4056360 4110362 4153732 4508193 | |

Bulldozer Series

| BRAND | MODEL | BOTTOM ROLLER | CARRIER ROLLER | FRONT IDLER | SPROCKET |
|---------|---|------------------------------|------------------------------|------------------------------|--|
| Komatsu | D10-A-S-1 | 110-30-00085 110-30-00045 | | 140-30-00040 140-30-00141 | |
| Komatsu | D10Q-S-2 | 140-30-00040 140-30-00141 | | 140-30-00040 140-30-00141 | |
| Komatsu | D30, D31A, P, E-17-18 D37E, P-1-2 | 140-30-00040 140-30-00141 | 140-30-00040 140-30-00141 | 140-30-00040 140-30-00141 | |
| Komatsu | D40, D45-1-3,D50,D 53-16, 17,D57S-1,D5 8E-P1,D63E-1 | 140-30-00040 140-30-00141 | 140-30-00040 140-30-00141 | 140-30-00040 140-30-00141 | 130-27-00010 |
| Komatsu | D60,D65-6, 7, 8, D66S-1,D75A-1 | 141-30-00610 141-30-00616 | 141-30-00610 141-30-00616 | 141-30-00610 141-30-00616 | 141-27-00015 150-27-00015 150-27-00015 150-27-00025 |

| | | | | | |
|-------------|--|--|--|--|--|
| | | | | | 150-27-00026 |
| Komatsu | D65E-12,D65EX-12 D65P、PX | 205-30-00052 | | 205-30-00052 | 14X-27-00100 566-33-00010 |
| Komatsu | D75S-3、5,D80 D85-12、18、21 D83E-P、1 D95S-1、2 | 150-30-00035 154-30-00035 154-30-00830 154-30-00831 154-30-00832 154-30-00833 | 150-30-00035 154-30-00035 154-30-00830 154-30-00831 154-30-00832 154-30-00833 | 150-30-00035 154-30-00035 154-30-00830 154-30-00831 154-30-00832 154-30-00833 | 150-27-00025 150-27-00026 170-27-00020 170-27-00021 195-27-00022 423-33-00020 |
| Komatsu | D85ESS-1 | 150-30-00035 154-30-00035 154-30-00830 154-30-00831 154-30-00832 154-30-00833 | 150-30-00035 154-30-00035 154-30-00830 154-30-00831 154-30-00832 154-30-00833 | 150-30-00035 154-30-00035 154-30-00830 154-30-00831 154-30-00832 154-30-00833 | 150-27-00025 150-27-00026 170-27-00020 170-27-00021 195-27-00022 423-33-00020 |
| Komatsu | D85ESS-2 | 205-30-00052 | 150-30-00035 154-30-00035 154-30-00830 154-30-00831 154-30-00832 154-30-00833 | 205-30-00052 | 14X-27-00100 566-33-00010 |
| Komatsu | D135A1、2 D155A1、2 D155S-1 | 170-30-00110 170-30-00210 175-30-00700 | 170-30-00110 170-30-00210 175-30-00700 | 170-30-00110 170-30-00210 175-30-00700 | 170-27-00020 195-27-00022 423-33-00020 100-27-00030 175-27-00120 21T-30-00110 |
| Komatsu | D335A,3,5 | 130-27-00020 | 130-27-00020 | 130-27-00020 | 170-27-00020 195-27-00022 423-33-00020 |
| Komatsu | D375A-1、2 | 205-30-00052 | 205-30-00052 | 205-30-00052 | |
| Komatsu | D455A-1 | | 130-27-00020 195-30-00302 | | |
| Komatsu | D475A-1、2 | 130-27-00020 | 205-30-00052 | | |
| Caterpillar | D3、D3B | 6P3595 9G5345 9W6690 9W6691 | 2M2858 5K6191 9W7216 9W7223 | 6P3595 9G5345 9W6690 9W6691 | 1P7249 5P7146 9W7228 9W7243 |
| Caterpillar | D3C、LGP | 6P3595 9G5345 9W6690 9W6691 | 2M2858 5K6191 9W7216 9W7223 | 6P3595 9G5345 9W6690 9W6691 | |
| Caterpillar | D4C、D、E | 2M2858 | 2M2858 | 2M2858 | 4K6049 |

| | | | | | |
|-------------|---------------------------------|--------------------------------------|--------------------------------------|--------------------------------------|--------------------------------------|
| | LGP SA | 5K6191 9W7216 9W7223 | 5K6191 9W7216 9W7223 | 5K6191 9W7216 9W7223 | 9G5311 9W6666 |
| Caterpillar | D4H, LGP | | 2M2858 5K6191 9W7216 9W7223 | | 4K6049 9G5311 9W6666 |
| Caterpillar | D5, D5B, D5LGP D6, D6B, 955K | 2M2858 5K6191 9W7216 9W7223 | 1M8747 9W6647 | 2M2858 5K6191 9W7216 9W7223 | 7M0481 9G5313 9W6668 9W6669 |
| Caterpillar | D5H, LGP, XL | | 1M8747 9W6647 | | 8P1252 9G5343 9W6686 |
| Caterpillar | D6C, D, LGP | 1M8747 9W6647 | 1M8747 9W6647 | 1M8747 9W6647 | 6T8439 8P1848 9G5341 9W6674 |
| Caterpillar | D6H, LGP | | 1M8747 9W6647 | | 8P1252 9G5343 9W6686 |
| Caterpillar | D7E, F, G, 977K | 1M8747 9W6647 | 1M8747 9W6647 | 1M8747 9W6647 | 8P1252 9G5343 9W6686 |
| Caterpillar | D7H | | 1M8747/ 9W6647 | | 8P1252 9G5343 9W6686 |
| Caterpillar | D8H, K | 1M8746 9W7220 | 1M8747 9W6647 | 1M8746 9W7220 | 6P3595 9G5345 9W6690 9W6691 |
| Caterpillar | D9G, H | 1M8748 5P0204 9W7225 | 1M8746 9W7220 | | |

Location:
Unit 1/12 Kewdale Road
Welshpool WA Australia 6106

Ph: +61 8 6350 1755

Email 1:
sales@sealsolutionsaustralia.com.au

Web: www.sealsolutionsaustralia.com.au