

Selfcentering bonded seals

Applicability

The BS/A bonded seals automatic core—positioning) are applicable to threaded pipe fittings and plug sealing in Metric System, the Britain System and BSP. The location processing of sealing groove is not specially required, so it is ideal fittings for fast and automatic installation. Its service temperature is $-30^{\circ}\text{C}\sim 100^{\circ}\text{C}$, working pressure less than 39.2MPa.



Reference Data and Dimensions



Applicable to British and BSP thread sealing, optimum size

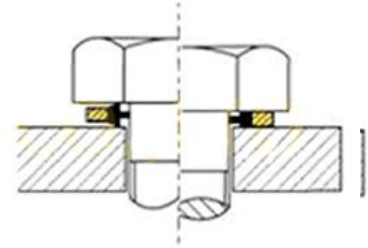
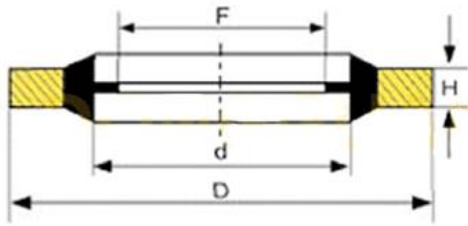
Order no.	(Applicable Thread)		(Size)				Parts no.	Reference No.
	(British)	BSP(G)	d	D	H	F		
BS/A 3.05	6BA		3.05	6.35	1.00	/	XM100305	001
BS/A 4.12	4BA		4.12	7.62	1.00	/	XM100412	002
BS/A 5.21	2BA		5.21	8.38	1.00	/	XM100521	003
BS/A 6.86	1/4		6.86	13.21	1.50	4.70	XM100686	004
BS/A 6.99	1/4		6.99	13.34	1.30	4.70	XM100699	005
BS/A 8.31	5/16		8.31	13.34	1.30	6.10	XM100831	006
BS/A 8.64	5/16		8.64	14.22	1.50	6.10	XM100864	007
BS/A 10.37	3/8	G 1/8	10.37	15.88	2.00	8.56	XM1001037	020
BS/A 11.26	0.4		11.26	18.36	2.00	8.56	XM1001126	008
BS/A 11.69	7/16		11.69	19.05	2.00	8.80	XM1001169	009
BS/A 13.74	1/2	G 1/4	13.74	20.57	2.00	11.45	XM1001374	021
BS/A 14.86	9/16		14.86	22.23	2.00	11.58	XM1001486	010



Order no.	(Applicable Thread)		(Size)				Parts no.	Reference No.
	(British)	BSP(G)	d	D	H	F		
BS/A 15.83	0.60		15.83	22.23	2.00	12.10	XM1001583	022
BS/A 16.51	5/8		16.51	25.40	2.00	12.90	XM1001651	011
BS/A 17.28	-	G 3/8	17.28	23.80	2.00	14.96	XM1001728	023
BS/A 18.16	11/16		18.16	25.40	2.34	14.50	XM1001816	012
BS/A 19.69	3/4		19.69	26.92	2.34	15.80	XM1001969	024
BS/A 21.54	13/16	G 1/2	21.54	28.58	2.34	18.64	XM1002154	025
BS/A 23.49	7/8	G 5/8	23.49	31.75	2.34	20.60	XM1002349	026
BS/A 24.26	15/16		24.26	33.27	2.34	20.20	XM1002426	013
BS/A 27.05	1	G 3/4	27.05	34.93	2.34	24.13	XM1002705	027
BS/A 27.82	1 1/16		27.82	38.61	2.34	22.90	XM1002782	028
BS/A 29.33	1 1/8		29.33	36.58	2.34	23.90	XM1002933	014
BS/A 30.81	1 3/16	G 7/8	30.81	38.10	2.34	27.89	XM1003081	029
BS/A 32.64	1 1/4		32.64	41.40	3.40	27.10	XM1003264	015
BS/A 33.89	1 5/16	G 1	33.89	42.80	2.34	30.30	XM1003389	031
BS/A 33.89A	1 5/16	G 1	33.89	42.80	3.40	30.30	XM1003389A	030
BS/A 35.94	1 3/8		35.94	44.45	3.40	29.50	XM1003594	016
BS/A 38.96	1 1/2		38.96	47.75	3.40	32.70	XM1003896	017
BS/A 42.93	1 5/8	G 1 1/4	42.93	52.38	2.34	38.96	XM1004293	041
BS/A 42.93A	1 5/8	G 1 1/4	42.93	52.38	3.40	38.96	XM1004293A	032
BS/A 45.34	1 3/4		45.34	57.15	3.40	37.90	XM1004534	018
BS/A 48.44	1 7/8	G 1 1/2	48.44	58.60	2.34	44.86	XM1004844	040
BS/A 48.44A	1 7/8	G 1 1/2	48.44	58.60	3.40	44.86	XM1004844A	033
BS/A 51.69	2		51.69	63.50	3.40	43.60	XM1005169	019
BS/A 54.89	2 1/8	G 1 3/4	54.89	69.85	3.40	50.80	XM1005489	034
BS/A 58.04	2 1/4		58.04	70.36	3.40	/	XM1005804	035
BS/A 60.58		G 2	60.58	73.03	2.34	56.67	XM1006058	042
BS/A 60.58A		G 2	60.58	73.03	3.40	56.67	XM1006058A	036
BS/A 64.39	2 1/2		64.39	77.72	3.40	55.40	XM1006439	037
BS/A 66.68		G 2 1/4	66.68	79.50	2.34	65.80	XM1006668	043
BS/A 66.68A		G 2 1/4	66.68	79.50	3.40	65.80	XM1006668A	038
BS/A 76.08		G 2 1/2	76.08	90.17	3.40	72.20	XM1007608	039
BS/A 89.09		G3	89.09	101.47	3.40	85.40	XM1008909	044



Suitable for metric thread seal



mm

Order no.	(Applicable Thread)	(Size)				Parts no.
		d	D	H	F	
BS/A 3.00 BS/A 4.00 BS/A 5.00	M3 M4 M5	3.20 4.50 5.70	7.00 8.00 10.00	1.00 1.00 1.00	2.20 3.40 4.50	XM100300 XM100400 XM100500
BS/A 6.00 BS/A 8.00 BS/A 10.00	M6 M8 M10	6.70 8.70 10.70	12.00 14.00 16.00	1.50 2.00 2.00	4.70 6.40 8.05	XM100600 XM100800 XM1001000
BS/A 12.00 BS/A 14.00 BS/A 16.00	M12 M14 M16	12.70 14.70 16.70	18.00 20.00 22.00	2.00 2.00 2.00	9.73 11.38 13.41	XM1001200 XM1001400 XM1001600
BS/A 18.00 BS/A 20.00 BS/A 22.00	M18 M20 M22	18.70 20.70 22.70	25.00 28.00 30.00	2.00 2.00 2.00	14.76 16.76 18.74	XM1001800 XM1002000 XM1002200
BS/A 24.00 BS/A 27.00 BS/A 30.00	M24 M27 M30	24.70 27.70 31.00	32.00 35.00 38.00	2.00 2.00 2.00	20.11 23.30 25.70	XM1002400 XM1002700 XM1003000
BS/A 33.00 BS/A 36.00 BS/A 39.00	M33 M36 M39	34.00 37.00 40.00	42.00 46.00 50.00	2.00 2.00 2.00	28.70 31.10 34.10	XM1003 300 XM1003 600 XM1003 900
BS/A 42.00 BS/A 45.00 BS/A 48.00	M42 M45 M48	43.00 46.40 49.40	53.00 56.00 60.00	2.00 2.00 2.00	36.50 39.50 41.90	XM1004200 XM1004500 XM1004800
BS/A 52.00 BS/A 60.00 BS/A 65.00	M52 M60 M65	53.40 61.40 66.60	66.00 75.00 80.00	2.00 2.00 2.00	44.70 52.70 57.70	XM1005200 XM1006000 XM1006500
BS/A 70.00 BS/A 75.00 BS/A 80.00	M70 M75 M80	71.50 76.50 81.50	85.00 90.00 95.00	2.50 2.50 2.50	62.70 67.70 72.70	XM1007000 XM1007500 XM1008000
BS/A 85.00 BS/A 90.00 BS/A 95.00 BS/A 100.00	M85 M90 M95 M100	86.50 91.50 97.50 102.00	100.00 105.00 112.00 117.00	2.50 2.50 2.50 2.50	77.70 82.70 87.70 92.70	XM1008500 XM1009000 XM1009500 XM10010000

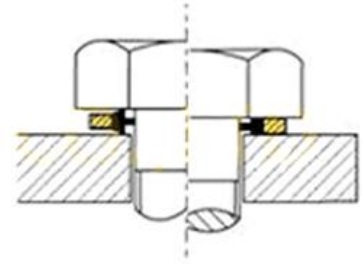
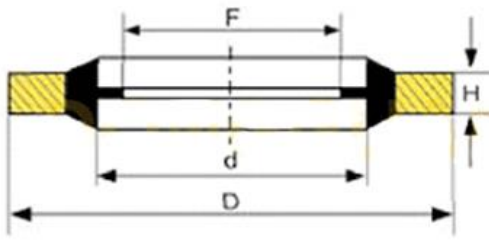
Suitable for Germany. France metric thread standard seal



Order no.	(Applicable Thread)	(Size)				Parts no.	Reference No.
		d	D	H	F		
BS/A 3.60 BS/A 4.10 BS/A 4.50	M3 M3(M3.5) M4	3.60 4.10 4.50	7.50 7.20 7.00	1.00 1.00 1.00	/ / 3.40	XM100360 XM100410 XM100450	301 201 202
BS/A 4.60 BS/A 5.60 BS/A 5.70	M4 M5 M5	4.60 5.60 5.70	9.00 10.00 9.00	1.00 1.00 1.00	3.40 4.50 4.50	XM100460 XM100560 XM100570	302 303 203
BS/A 5.70A BS/A 6.20 BS/A 6.60	M5 M5(M5.5) M6	5.70 6.20 6.60	10.00 9.20 11.00	1.00 1.00 1.00	4.50 4.70 4.70	XM100570A XM100620 XM100660	204 205 304
BS/A 6.70 BS/A 6.70A BS/A 6.70B	M6 M6 M6	6.70 6.70 6.70	10.00 11.00 11.00	1.00 1.00 2.50	4.70 4.70 /	XM100670 XM100670 A XM100670 B	206 207 208
BS/A 85 BS/A 6 00 BS/A 7 10 BS/A 7.	M6 M6 M6(M6.5)	6.85 7.00 7.10	13.27 11.40 12.00	1.50 1.00 1.00	/ 4.70 /	XM100685 XM100700 XM100710	305 306 209
BS/A 7.30 BS/A 8.50 BS/A 8.60	M6(M6.7) M6(M8) M8	7.30 8.50 8.60	10.20 13.40 13.00	1.00 1.00 1.00	/ / 6.40	XM100730 XM100850 XM100860	210 211 307
BS/A 8.70 BS/A 8.70A BS/A 8.70B	M8 M8 M8	8.70 8.70 8.70	13.00 14.00 16.00	1.00 1.00 1.00	6.40 6.40 6.40	XM100870 XM100870 A XM100870 B	212 213 214
BS/A 9.30 BS/A 10.35 BS/A 10.70	M8(M8.5) M10 M8(M10)	9.30 10.35 10.70	13.30 16.00 16.00	1.00 2.00 1.50	6.90 8.56 8.05	XM100930 XM1001035 XM1001070	215 216 217
BS/A 10.70A BS/A 10.70B BS/A 11.40	M10 M8(M10) M10(M11)	10.70 10.70 11.40	17.00 18.00 16.30	1.50 1.50 1.50	8.56 8.05 9.80	XM1001070A XM1001070B XM1001140	310 218 219
BS/A 11.80 BS/A 11.80A BS/A 11.80B	M11 M10(M11) M10(M11)	11.80 11.80 11.80	18.10 18.50 19.10 4	1.50 1.50 1.50	9.80 / 9.80	XM1001180 XM1001180A XM1001180B	312 220 221

mm

Suitable for Germany. France metric thread standard seal

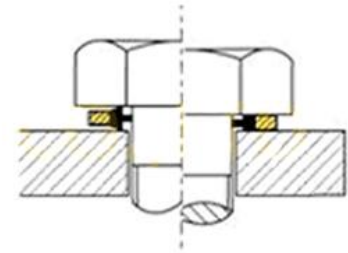
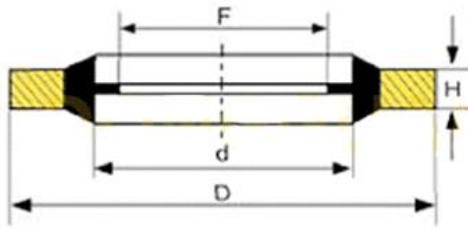


mm

Order no.	(Applicable Thread)	(Size)				Parts no.	Reference No.
		d	D	H	F		
BS/A 12.70	M10(M12)	12.70	18.00	1.50	9.73	XM1001270	222
BS/A 12.70A	M12	12.70	19.00	1.50	9.73	XM1001270A	313
BS/A 12.70B	M10(M12)	12.70	20.00	1.50	9.73	XM1001270B	223
BS/A 13.70	M12(M13)	13.70	20.00	1.50	/	XM1001370	224
BS/A 13.70A	M12(M13)	13.70	22.00	1.50	10.80	XM1001370A	225
BS/A 13.80	M13	13.80	20.10	1.50	10.80	XM1001380	315
BS/A 14.00A	M12(M13.5)	14.00	18.70	1.50	11.30	XM1001400	226
BS/A 14.70	M14	14.70	21.00	1.50	11.38	XM1001470	316 227
BS/A 14.70A	M12(M14)	14.70	22.00	1.50	11.38	XM1001470A	
BS/A 17.20	M16.5	17.20	23.90	2.00	/	XM1001720	319
BS/A 17.40	M17	17.40	23.70	1.50	13.08	XM1001740	318
BS/A 17.40A	M14(M17)	17.40	24.00	1.50	13.08	XM1001740A	230
BS/A 18.00A	M16(M17.5)	18.00	24.70	1.50	13.60	XM1001800	231
BS/A 18.70	M16(M18)	18.70	26.00	1.50	14.76	XM1001870	232
BS/A 18.70A	M18	18.70	27.00	2.00	14.76	XM1001870A	320
BS/A 20.70	M18(M20)	20.70	28.00	1.50	16.76	XM1002070	233
BS/A 20.70A	M20	20.70	29.00	2.00	16.76	XM1002070A	321
BS/A 21.50	M18(M21)	21.50	28.70	2.50	17.80	XM1002150	234
BS/A 21.70	M21	21.70	30.00	2.00	17.80	XM1002170	323
BS/A 22.50	M20(M22)	22.50	28.00	1.50	/	XM1002250	235
BS/A 22.70	M20(M22)	22.70	30.00	2.00	18.74	XM1002270	236
BS/A 22.70A	M20(M22)	22.70	30.00	3.00	/	XM1002270A	237
BS/A 22.70B	M22	22.70	31.00	2.00	18.74	XM1002270B	324
BS/A 23.70	M23	23.70	32.00	2.00	19.30	XM1002370	325



Suitable for Germany. France metric thread standard seal



mm

Order no.	(Applicable Thread)	(Size)				Parts no.	Reference No.
		d	D	H	F		
BS/A 24.70 BS/A 24.70A BS/A 26.70	M20(M24)	24.70	32.00	2.00	20.11	XM1002470 XM1002470A XM1002670	238 326 239
	M24	24.70	33.00	2.00	20.11		
	M26	26.70	35.00	2.00	22.30		
BS/A 27.00A BS/A 27.20 BS/A 27.70	M26	27.00	35.30	2.00	22.30	XM1002700 XM1002720 XM1002770	327 240 328
	M24(M27)	27.20	36.00	2.00	23.30		
	M27	27.70	36.00	2.00	23.30		
BS/A 28.60 BS/A 28.70 BS/A 29.20	M28	28.60	36.00	2.00	24.80	XM1002860 XM1002870 XM1002920	329 241 330
	M24(M27)	28.70	37.00	2.00	/		
	M28.5	29.20	37.50	2.00	/		
BS/A 34.30 BS/A 36.70 BS/A 37.00	M30(M33)	34.30	43.00	2.00	28.70	XM1003430 XM1003670 XM1003700	244 245 333
	M33(M36)	36.70	46.00	2.00	31.10		
	M36	37.00	48.00	2.50	31.10		
BS/A 40.00 BS/A 40.00A BS/A 42.70	M36(M39)	40.00	51.00	2.50	34.10	XM1004000 XM1004000A XM1004270	246 334 247
	M39	40.00	51.00	2.50	34.10		
	M36(M42)	42.70	53.00	3.00	36.50		
BS/A 43.00 BS/A 46.00 BS/A 48.70	M42	43.00	54.00	2.50	36.50	XM1004300 XM1004600 XM1004870	335 336 248
	M45	46.00	57.00	2.50	39.50		
	M36(M48)	48.70	59.00	3.00	41.90		
BS/A 49.00 BS/A 52.00A BS/A 53.30	M48	49.00	60.00	2.50	41.90	XM1004900 XM1005200 XM1005330	337 249 250
	M42(M51)	52.00	60.00	3.00	/		
	M48(M52)	53.30	64.50	3.00	/		
BS/A 60.70 BS/A 68.60 BS/A 76.10	M48(M60)	60.70	73.00	3.00	/	XM1006070 XM1006860 XM1007610	251 252 253
	M68	68.60	79.50	3.50	/		
	M75	76.10	90.30	3.40	/		
BS/A 89.09 BS/A 127.00	M88	89.09	101.48	3.40	/	XM1008909 XM10012700	254 255
	M125	127.00	143.67	5.00	/		

For the British BSP(G)pipeline and pipe joint.ISO 1179

Order no.	(Applicable Thread)	(Size)				Parts no.	Reference No.
		d	D	H	F		
BS/A 8.30	G 1/16	8.30	12.70	1.25	/	XM200830	519
BS/A 10.40	G 1/8	10.40	14.70	1.25	/	XM2001040	510
BS/A 13.85	G 1/4	13.85	18.70	1.25	/	XM2001385	511
BS/A 17.35	G 3/8	17.35	22.70	1.25	/	XM2001735	512
BS/A 21.65	G 1/2	21.65	26.70	1.25	/	XM2002165	513
BS/A 27.30	G 3/4	27.30	32.50	1.25	/	XM2002730	514
BS/A 34.20	G 1	34.20	39.50	2.00	/	XM2003420	515
BS/A 42.80	G 1 1/4	42.80	49.50	2.00	/	XM2004280	516
BS/A 48.70A	G 1 1/2	48.70	55.50	2.00	/	XM2004870A	517
BS/A 60.50	G 2	60.50	68.50	2.00	/	XM2006050	518

(NBR)

Automatic core combination washer (repair kit)



Metric(repair kit)

Product specifications	Quantity
BS/A 8.00(M8)	40
BS/A 10.00(M10)	40
BS/A 12.00(M12)	20
BS/A 14.00(M14)	40
BS/A 16.00(M16)	20
BS/A 18.00(M18)	20
BS/A 20.00(M20)	20
BS/A 22.00(M22)	20
BS/A 27.00(M27)	40
BS/A 30.00(M30)	20
BS/A 33.00(M33)	20
BS/A 42.00(M42)	12
BS/A 48.00(M48)	20

Inch(repair kit)

Product specifications	Quantity
BS/A 10.30(G 1/8)	40
BS/A 13.70(G 1/4)	40
BS/A 17.20(G 3/8)	40
BS/A 21.50(G 1/2)	40
BS/A 27.10(G 3/4)	20
BS/A 33.80(G 1)	20
BS/A 42.90(G 1 1/4)	20
BS/A 48.50(G 1 1/2)	12
BS/A 60.50(G2)	12

Note:according to user specifications and any number of assort or arrange in pairs or groups repair kit

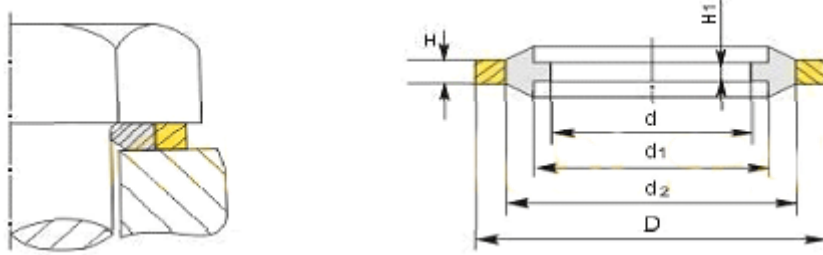


Bolt sealing bonded seals

Applicability

Applicable to the sealing thread, pipe connector and plug, under the service temperature of $-30^{\circ}\text{C}\sim+100^{\circ}\text{C}$ and working pressure less than $39.2\text{Mpa}(400\text{kgf}/\text{cm}^2)$.

Reference Data and Dimensions



mm

Order no.	(Size)						Parts no.
	d	d1	D	F	H	H1	
BS/A1 8	9.30	11.00	14.80	7.50	1.50	0.80	XM400750
BS/A1 10	11.80	13.80	17.80	9.50			XM400850
BS/A1 12	13.50	15.50	21.00	11.60			XM4001160
BS/A1 14	16.00	18.00	23.00	13.60	2.00	1.00	XM4001360
BS/A1 16	18.00	20.00	25.00	15.60			XM4001560
BS/A1 18	20.00	22.00	28.00	17.60			XM4001760
BS/A1 20	22.00	24.00	32.00	19.60		1.40	XM4001960
BS/A1 22	24.00	26.00	34.00	21.60			XM4002160
BS/A1 24	26.00	28.00	36.00	23.60			XM4002360
BS/A1 27	29.00	31.00	39.00	26.60	3.00	2.00	XM4002660
BS/A1 30	32.00	34.00	42.00	29.60			XM4002960
BS/A1 33	35.00	37.00	45.00	32.60			XM4003260
BS/A1 39	41.00	43.00	51.00	38.60			XM4003860
BS/A1 42	44.00	46.00	54.00	41.60			XM4004160
BS/A1 45	47.00	49.00	57.00	44.60			XM4004460
BS/A1 48	50.00	52.00	60.00	47.60	3.00	2.00	XM4004760
BS/A1 52	54.00	56.00	66.00	51.60			XM4005160
BS/A1 60	62.00	65.00	75.00	59.60			XM4005960

Copper Combination Washer

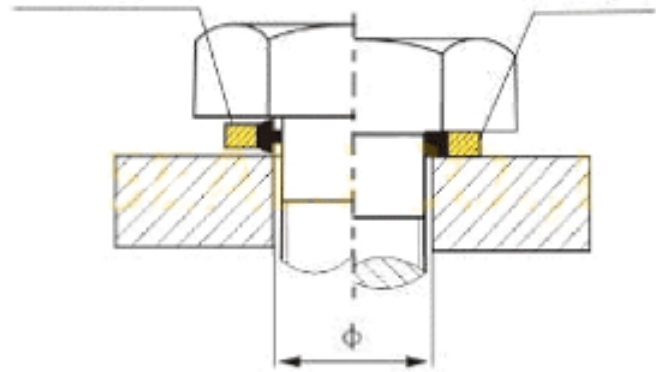
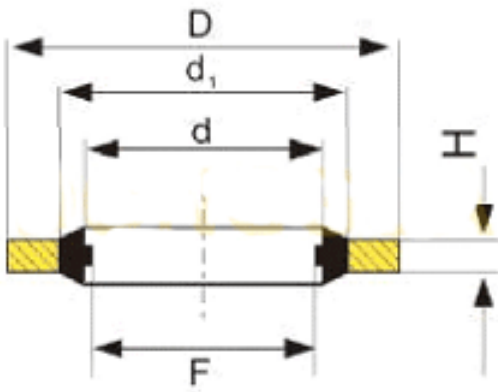
Applicability

It is applicable to the pipeline system with the medium of oil, and widely used for sealing of welding, ferrule, expanding pipe connector, plug and mechanisms for pressure sealing system against the leakage of oil, fuel, water and medicine. Its nominal pressure is 40MPa, working temperature is $-25^{\circ}\text{C}\sim +100^{\circ}\text{C}$.

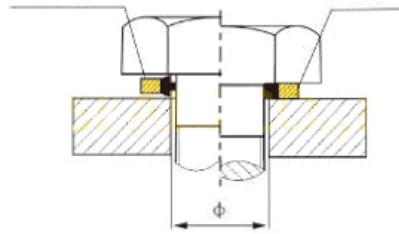
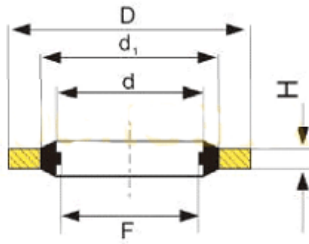
Reference Data and Dimensions



s



Applicable to Metric thread, optimum size

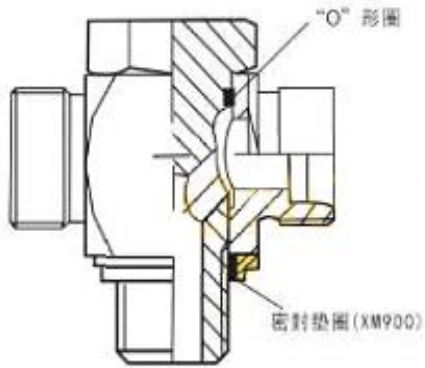


mm

Order no.	Metric thread	Size					Parts no.
		d	d1	D	F	H	
6	M6	6.40	8.00	12.00	6.00	1.50	XM200600
8	M8	8.40	10.00	14.00	8.00	2.00	XM200800
10	M10	10.40	12.00	16.00	10.00	2.00	XM2001000
12	M12	12.40	14.00	18.00	12.00	2.00	XM2001200
14	M14	14.40	16.00	20.00	14.00	2.00	XM2001400
16	M16	16.40	18.00	22.00	16.00	2.00	XM2001600
18	M18	18.40	20.00	25.00	18.00	2.00	XM2001800
20	M20	20.50	23.00	28.00	20.00	2.00	XM2002 800
22	M22	22.50	25.00	30.00	22.00	2.00	XM2002 000
							200
24	M24	24.50	27.00	32.00	24.00	2.00	XM2002400
27	M27	27.50	30.00	35.00	27.00	2.00	XM2002700
30	M30	30.50	33.00	38.00	30.00	2.00	XM2003000
33	M33	33.50	36.00	42.00	33.00	2.00	XM2003300
36	M36	36.60	40.00	46.00	36.00	2.00	XM2003600
39	M39	39.60	43.00	50.00	39.00	2.00	XM2003900
42	M42	42.60	46.00	53.00	42.00	2.00	XM2004200
45	M45	45.60	49.00	56.00	45.00	2.00	XM2004500
48	M48	48.70	52.00	60.00	48.00	2.00	XM2004800
52	M52	52.70	56.00	66.00	52.00	2.00	XM2005200
60	M60	60.70	64.00	75.00	60.00	2.00	XM2006000

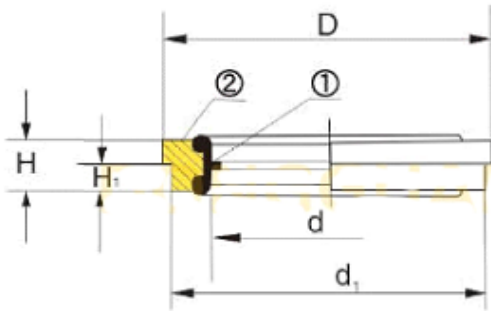
friendly tips	Model Demonstration 27, XM2002700 When the Metric thread is M27, its order no. is bonded seals ϕ 27, parts no. is XM2002700.
---------------	--

Articulated joint sealing washer



(FKM)

(Carbon steel)



mm

Order no.	Metric thread	British thread	(Size)					Parts no.
			d	d1	D	H1	H	
XM900 10.30	M10*1	G1/8A	10.30	14.90	16.00	1.10	2.50	XM900103
XM900 12.30	M12*1.5		12.30	17.00	18.00	1.60	3.00	XM900123
XM900 14.30	M14*1.5	G1/4A	14.30	18.90	20.00	1.60	3.00	XM900143
XM900 17.00	M16*1.5	G3/8A	17.00	21.90	24.00	2.10	3.00	XM 900170
XM900 18.30	M18*1.5		18.30	23.90	23.90	/	3.00	XM 900183
XM900 22.30	M22*1.5	G1/2A	22.30	26.90	30.00	2.60	4.50	XM 900223
XM900 26.30	M26*1.5		26.30	31.90	35.00	2.60	3.50	XM900263
XM900 27.30	M27*2	G3/4A	27.30	32.90	38.00	2.60	3.50	XM900273
XM900 33.60	M33*2	G1A	33.60	39.90	42.00	2.60	3.50	XM900336
XM900 42.40	M42*2	G1 1/4A	42.40	49.90	49.90	/	3.50	XM900424
XM900 48.40	M48*2	G1 1/2A	48.40	55.90	60.00	2.60	3.50	XM900484



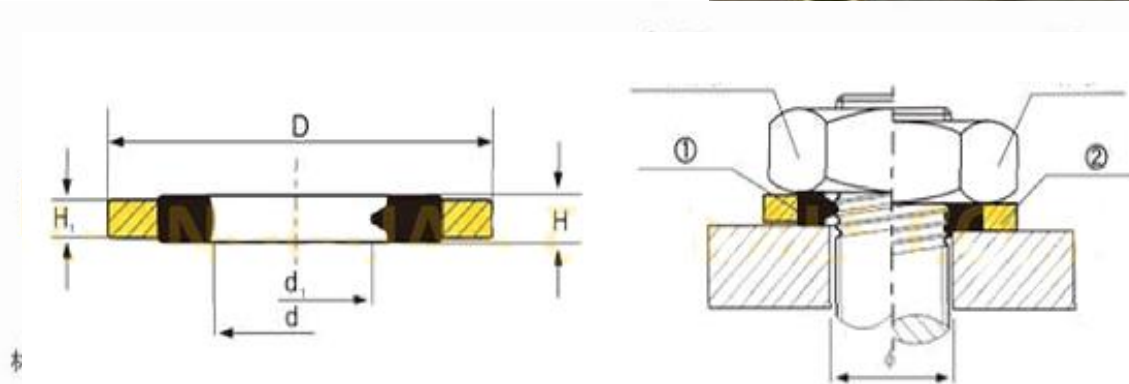
Nut seal gasket

Applicability

The bonded seals with special sealing lips are used for thread and nut sealing, the centering operation for seals can be realized without positioning slot processing thanks to the sealing lip, the seals exert the functions in thread to prevent leakage, the thread, nut and machine parts are sealed and tightened well by the contact lip of three pieces of rubber objects, it usually is used with hexagon nuts, threaded connectors and adjusting screws.



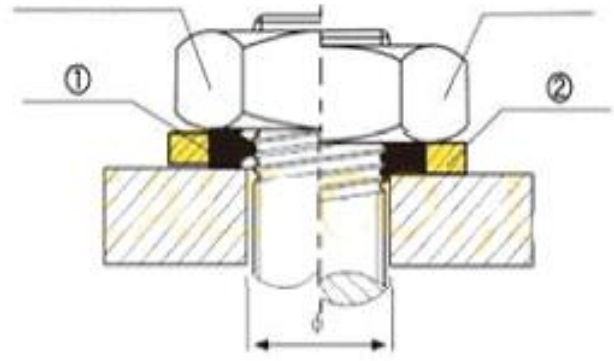
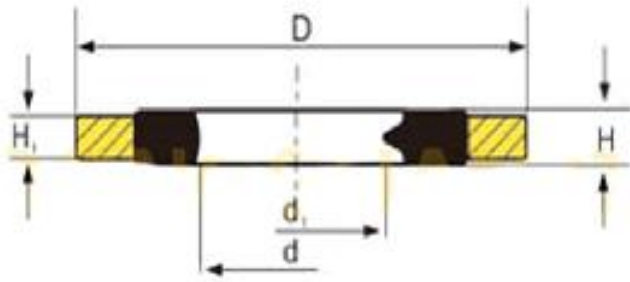
Reference Data and Dimensions



Suitable for metric nut gasket

mm

Order no.	(Size)					Gap and cylinder hole	thread pitch	Parts no.
	d	d1	D	H1	H			
XM300 M3	3.00	2.10	6.90	1.00	1.60	3.20	0.50	XM300300
XM300 M4	4.20	3.10	7.90	1.00	1.80	4.30	0.70	XM300420
XM300 M5	5.20	4.00	8.90	1.00	1.80	5.30	0.80	XM300520
XM300 M6	6.20	4.70	9.90	1.00	1.80	6.40	1.00	XM300620
XM300 M8	8.20	6.40	13.90	1.50	2.50	8.40	1.25	XM300820
XM300 M10	10.20	8.10	16.90	1.50	2.50	10.50	1.50	XM3001020
XM300 M12	12.20	9.80	18.90	1.50	2.50	13.00	1.75	XM3001220
XM300 M14	14.20	11.50	21.90	2.00	3.00	15.00	2.00	XM3001420
XM300 M16	16.20	13.50	23.90	2.50	3.50	17.00	2.00	XM3001620
XM300 M18	18.20	14.80	26.90	2.50	3.50	19.00	2.50	XM3001820
XM300 M20	20.20	16.80	29.90	2.50	3.70	21.00	2.50	XM3002020
XM300 M22	22.20	18.80	31.90	2.50	3.70	23.00	2.50	XM3002220
XM300 M24	24.20	20.20	35.90	2.50	3.70	25.00	3.00	XM3002420
XM300 M27	27.20	23.80	39.90	2.50	3.70	28.00	3.00	XM3002720



Applicable to inch nut gasket

mm

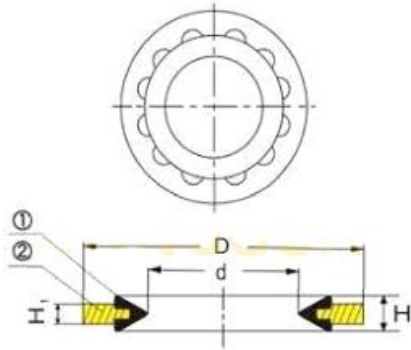
Order no.	(Size)				Parts no.	Reference no.
	d	D	H1	H		
XM300 NO.6	3.56	10.41	1.00	1.52	XM300356	93781A008
XM300 NO.8	4.06	10.41	1.00	1.52	XM300406	93781A010
XM300 NO.10	4.83	11.94	1.00	1.52	XM300483	93781A011

6.89MPa 1.38MPa

Order no.	(Size)				Parts no.	Reference no.
	d	D	H1	H		
XM300 1/4"	6.35	14.48	1.00	1.52	XM300635	93781A029
XM300 5/16"	7.87	17.53	1.27	1.78	XM300787	93781A037
XM300 3/8"	9.65	19.05	1.27	1.78	XM300965	93781A038
XM300 7/16"	11.18	23.11	1.78	2.29	XM3001118	93781A032
XM300 1/2"	12.95	25.40	1.78	2.29	XM3001295	93781A033
XM300 9/16"	14.48	27.94	2.03	2.45	XM3001448	93781A034
XM300 5/8"	16.00	30.23	2.03	2.45	XM3001600	93781A035
XM300 3/4"	19.30	35.05	2.45	3.05	XM3001930	93781A039
XM300 7/8"	22.61	39.88	2.45	3.05	XM3002261	93781A046
XM300 1"	25.91	44.45	2.79	3.30	XM3002591	93781A051

13.79MPa 1.38MPa

Screw and bolt gasket



(NBR) (FKM) (Carbon steel)

Applicable to the inch screw and bolt seal

Order no.	(Size)				Parts no.	Reference no.
	d	D	H1	H		
XM700 No.6	3.30	9.91	0.76	1.27	XM700330	93783A007
XM700 No.8	3.81	9.91	0.76	1.27	XM700381	93783A009
XM700 No.10	4.57	11.43	1.00	1.52	XM700457	93783A011
XM700 1/4"	6.10	12.95	1.00	1.52	XM700610	93783A029
XM700 5/16"	7.62	15.49	1.00	1.52	XM700762	93783A030
XM700 3/8"	9.14	17.02	1.00	1.52	XM700914	93783A031
XM700 7/16"	10.67	19.30	1.00	1.52	XM3001067	93783A032
XM700 1/2"	12.45	22.35	1.00	1.52	XM3001245	93783A033
XM700 9/16"	13.97	27.18	1.00	1.52	XM3001397	93783A034
XM700 5/8"	15.49	30.48	1.00	1.52	XM3001549	93783A035
XM700 3/4"	18.80	33.78	1.27	1.78	XM3001880	93783A036
XM700 7/8"	21.84	38.35	1.27	1.78	XM3002184	93783A046
XM700 1"	24.89	44.70	1.27	1.78	XM3002489	93783A051

23.45MPa 1.38MPa

Applicable to the inch screw and bolt seal

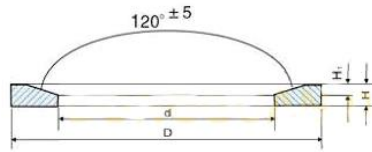
Order no.	(Size)				Parts no.	Reference no.
	d	D	H1	H		
XM700 M5	4.83	9.78	0.89	1.15	XM700483	93786A100
XM700 M6	5.79	11.25	1.14	1.40	XM700579	93786A125
XM700 M8	7.77	13.49	1.14	1.40	XM700777	93786A150
XM700 M10	9.73	15.32	1.14	1.40	XM700973	93786A175
XM700 M12	11.71	19.30	1.14	1.40	XM7001171	93786A200
XM700 M14	13.67	22.35	1.14	1.40	XM7001367	93786A225
XM700 M16	15.67	27.10	1.14	1.40	XM7001567	93786A250

72.41MPa 1.38MPa



ED

The pipe joint ED washer



(NBR) 85 (FKM)80



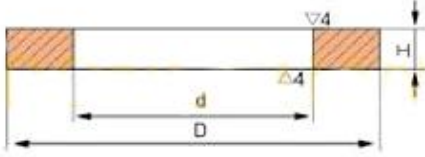
: mm

Order no.	(Applicable Thread)		(Size)				Parts no.
			d	D	H1	H	
XM800 08	M8×1.0	-	6.50	9.90	0.50	1.00	XM800650
XM800 10	M10×1.0	G 1/8A	8.40	11.90	0.50	1.00	XM800840
XM800 12	M12×1.5	-	9.80	14.40	0.80	1.50	XM800980
XM800 14	M14×1.5	G 1/4A	11.60	16.50	0.80	1.50	XM8001160
XM800 16	M16×1.5	-	13.80	18.90	0.80	1.50	XM8001380
XM800 17	-	G 3/8A	14.70	18.90	0.80	1.50	XM8001470
XM800 18	M18×1.5	-	15.70	20.90	0.80	1.50	XM8001570
XM800 20	M20×1.5	-	17.80	22.90	0.80	1.50	XM8001780
XM800 21	-	G 1/2A	18.50	23.90	0.80	1.50	XM8001850
XM800 22	M22×1.5	-	19.60	24.30	0.80	1.50	XM8001960
XM800 27	M26×1.5	G 3/4A	23.90	29.20	0.80	1.50	XM8002390
XM800 27	M27×2.0	G 3/4A	23.90	29.20	0.80	1.50	XM8002390
XM800 33	M33×2.0	1	29.70	35.70	1.00	2.00	XM8002970
XM800 42	M42×2.0	G1 1/4A	38.80	45.80	1.00	2.00	XM8003380
XM800 48	M48×2.0	G1 1/2A	44.70	50.70	1.00	2.00	XM8004470
XM800 60	M60×2.0	G 2A	56.10	62.70	1.25	2.50	XM8005610



JB/1002s

JB 1002
Material: Red Copper



HB=32~45 Hardness: Post-annealing HB=32~45

: mm

Applicable Thread		Nominal Dimensions	(Size)				
Bolt Top	Bolt Hole Inside		d		D	H	
M6	M10×1	4×8	4.20	+0.24	7.90	1.50	
	M12×1.5	5×9	5.20		8.90		
		6×10	6.20		9.90		
M6	M14×1.5	7×11	7.20		10.90		-0.24
M8		8×12	8.20		11.90		
M10		10×14	10.20		13.90		
M12		12×16	12.20		15.90		
M14	M20×1.5	13×17	13.20		16.90		-0.28
		14×18	14.20		17.90		
M16	M22×1.5	15×19	15.20		18.90		
M18	M27×2	16×20	16.20	19.90			
		18×23	18.20	22.90			
M20	M33×2	20×25	20.20	24.90	+0.28		
M22		22×27	22.20	26.90			
M24		24×29	24.20	28.90			
M27		27×32	27.20	31.90			
M30	M42×2	30×36	30.20	35.90	+0.34		
		32×38	32.20	37.90			
M33		33×39	33.20	38.90			
M36	M48×2	36×42	36.20	41.90		-0.34	
		39×46	39.20	45.90			
M39		40×47	40.20	46.90			
M42		42×49	42.20	48.90	-0.40		
		45×52	45.20	51.90			
M45		M60×2	48×55	48.20		54.90	
M48		52×60	52.20	59.90			
M52							

Bolt sealing bonded seals

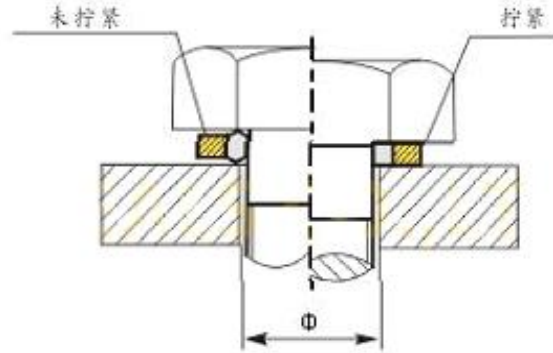
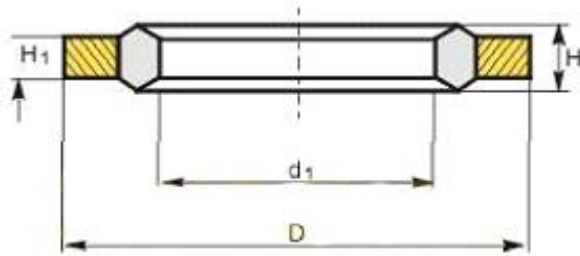
Applicability

The bonded seals with excellent sealing function, small torque and moment without p plug in m t can center the seals (automatic core-positioning) positioning slot; generally it is used with hexagon thread ethic system, meanwhile, a special XM500 bonded seals can

be made for British thread and special plug according to our customers requirements.



Reference Data and Dimensions s



□(NBR) (FKM) □(Carbon steel stainless steel)

: mm

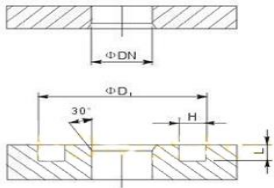
Order no.	(Size)				Gap and cylinder hole (max)	Parts no.
	d	D	H	H1		
XM500 M3	3.0	5.9	1.40	1.0	3.6	XM500300
XM500 M4	4.0	7.9	1.50	1.0	4.5	XM500400
XM500 M5	5.0	8.9	1.50	1.0	5.5	XM500500
XM500 M6	6.0	9.9	1.50	1.0	6.6	XM500600
XM500 M8	8.0	13.9	2.00	1.0	9.0	XM500800
XM500 M10	10.0	16.9	2.50	1.5	11.0	XM5001000
XM500 M12	12.0	18.9	2.50	1.5	14.0	XM5001200
XM500 M14	14.0	21.9	2.50	1.5	16.0	XM5001400
XM500 M16	16.0	23.9	2.50	1.5	18.0	XM5001600
XM500 M18	18.0	26.9	3.00	2.0	20.0	XM5001800
XM500 M20	20.0	29.9	3.00	2.0	22.0	XM5002000
XM500 M22	22.0	31.9	3.00	2.0	24.0	XM5002200
XM500 M24	24.0	35.9	3.00	2.0	26.0	XM5002400

friendly tips	<p>Model Demonstration M18, XM5001800。 When the Metric thread is M18,the order no.is bonded sealsXM500M18,or the parts no.is XM5001800.</p>
---------------	--

Flang sealing ring

Applicability

With reliable function, easy and simple installation and dismounting, it is used for static connection with large flow, equally and is specially developed for construction machinery hydraulic system. The materials of various components to seal the flanges include HNBR O-ring, HNBR rectangular ring and polyurethane rubber compacted seals(XM600).



Working

pressure: 42MPa(max)

Standard materials: polyurethane rubber Shore type A 93

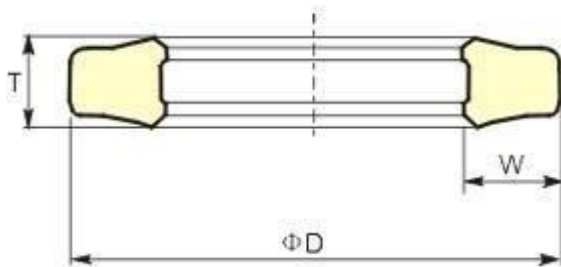
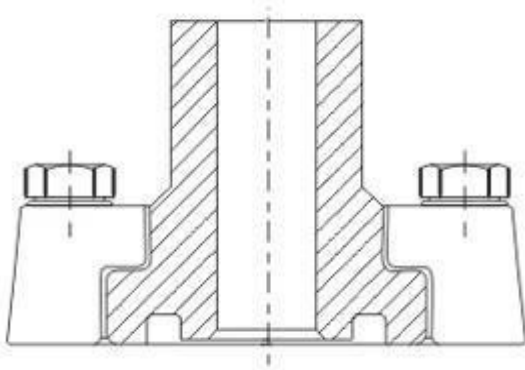
Working temperature: -35°C-100°C

Mediums: HL,HLP and hydraulic oil

Recommended installation size

: mm

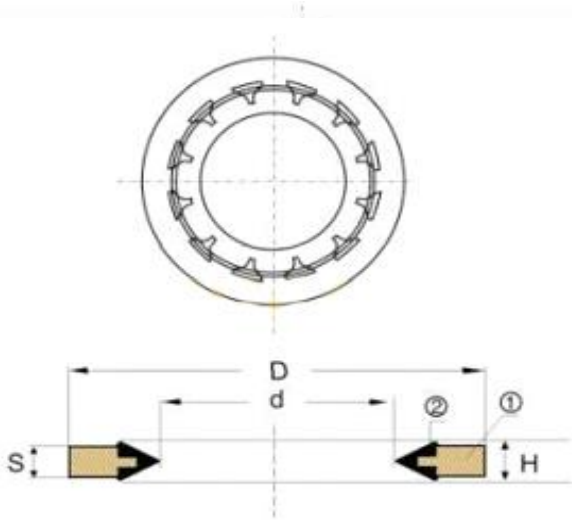
	DN	sD 1	H 1	L
1/2"	13	25.40-25.83	3.94-4.45	2.79-2.92
3/4"	19	31.75-31.88	3.94-4.45	2.79-2.92
1"	25	39.62-39.75	3.94-4.45	2.79-2.92
1 1/4"	32	44.45-44.58	3.94-4.45	2.79-2.92
1 1/2"	38	53.72-53.98	3.94-4.45	2.79-2.92
2"	51	63.25-63.50	3.94-4.45	2.79-2.92



Selecting seals size

: mm

Order no.	Size)			Parts no.
	D	W	H	
XM600 1/2	25.6	3.8	3.4	XM6002560
XM600 3/4	31.8	3.8	3.4	XM6003180
XM600 1	39.8	3.8	3.4	XM6003980
XM600 1 1/4"	44.8	3.8	3.4	XM6004480
XM600 1 1/2"	54.3	3.8	3.4	XM6005430
XM600 2	63.8	3.8	3.4	XM6006380

Compressor sealing ring


(Carbon steel)

Order no.	(Size)				Parts no.
	+0.13 D	±0.10 d	-0.10 H1	±0.10 H	
XM700 8.20	16.10	8.20	1.27	2.30	XM700820
XM700 11.20	19.10	11.20	1.27	2.30	XM7001120
XM700 15.30	28.50	15.30	1.27	2.30	XM7001530
XM700 15.40	23.60	15.40	1.27	2.30	XM7001540
XM700 17.20	25.10	17.20	1.27	2.30	XM7001720

Seal Solutions Australia

Unit 1/12 Kewdale Road, Welshpool WA 6106

Ph: 08 6350 1755 Mob: 0432 647 111

 Email: terry@sealsolutionsaustralia.com.au